

PAMS Technical Documentation

NHM-7 Series Transceivers

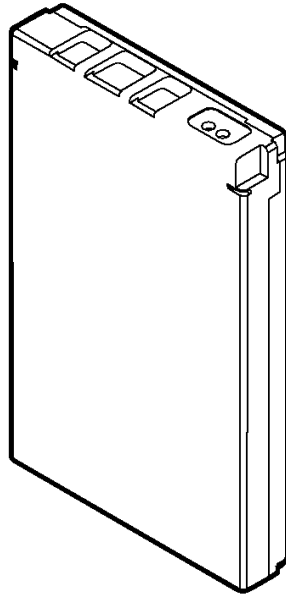
Non Serviceable Accessories

CONTENTS

BLB-2 Standard Battery	3
Product Code	3
ACP-7 Standard Charger	4
Product Codes	4
Specification	4
ACP-8 Travel Charger	5
Product Codes	5
Specification	5
DCD-1 Desktop Stand for 8310 only	6
Product Code	6
Specification	6
DDC-1 Battery Charging Stand	7
Product Code	7
Specification	7
LCH-9 Mobile Charger	8
Product Code	8
Specification	8
PPH-1 Plug-in HF Car Kit	9
Product Code	9
Specification	9
MBD-10 Mobile Holder for 8310 only	10
Product Code	10
MCC-5 Advanced Active Car Holder for 8310 only	11
Product Code	11
HFU-5 Advanced HF Unit	12
Product Code	12
HFS-12 HF Speaker	13
Product Code	13
MKU-1 Mounting Plate	14
Product Code	14
HHS-9 Swivel Mount	14
Product Code	14
HFM-8 Hands Free Microphone	15
Product Code	15
PCH-4J Power Cable	16
Product Code	16
HDD-1 Headset	17
Product Code	17
HDC-5 Headset	18
Product Code	18
HDE-2 Headset	19
Product Code	19
Loopset LPS-3	20

BLB-2 Standard Battery

The BLB-2 is a Li-ion battery in white plastic package.

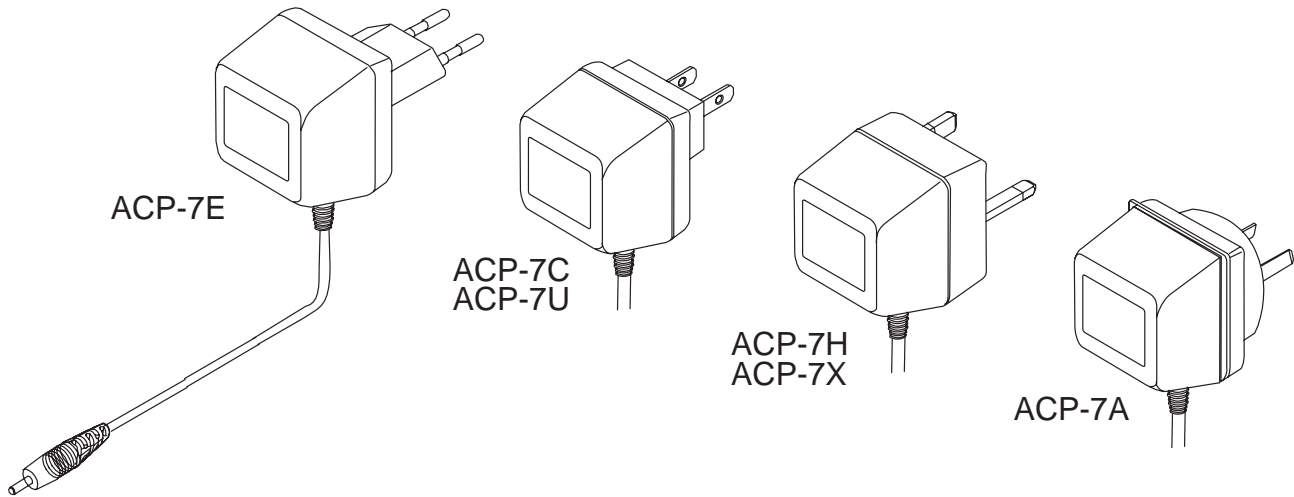


Product Code

BLB-2 Battery pack: *0271570*

ACP-7 Standard Charger

The standard charger is available for different voltage levels and comes with different wall plugs. The standard charger can also be used as a power supply for the desktop stand.



S0001160

Product Codes

Standard Charger (Euro plug) 207-253 Vac	ACP-7E	0675144
Standard Charger (US plug) 108-132 Vac	ACP-7U	0675143
Standard Charger (US plug) 198-242 Vac	ACP-7C	0675158
Standard Charger (UK plug) 207-253 Vac	ACP-7X	0675145
Standard Charger (UK plug) 180-220 Vac	ACP-7H	0675146
Standard Charger (Australia) 216-264 Vac	ACP-7A	0675148

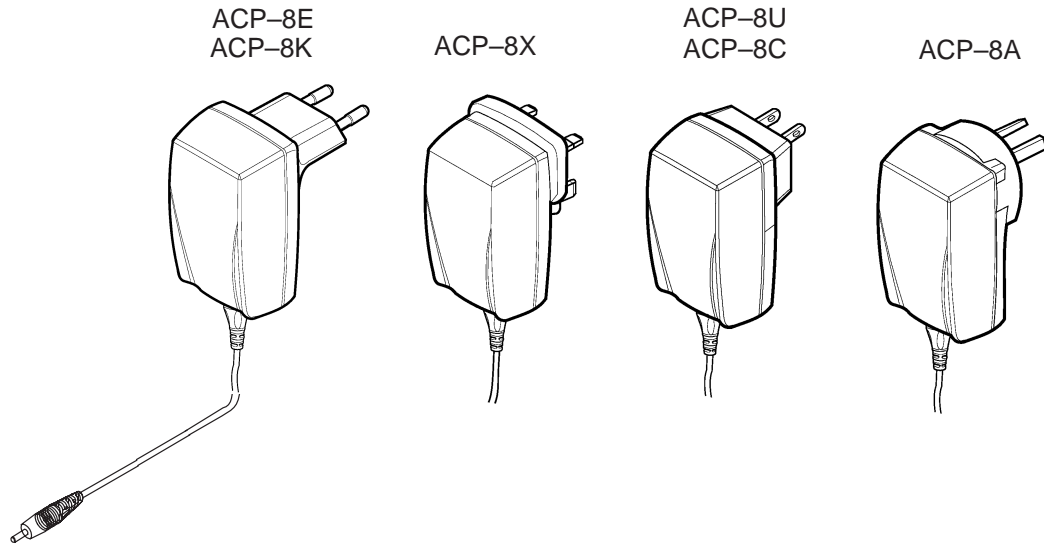
Specification

Output connectors:	3.5 mm DC plug, 2-pole
Protection:	PTC protection
Output Voltage /Current (typ)	7.6 V / 370 mA

ACP-8 Travel Charger

Operating within the voltage range 90 V...264 V AC (50 Hz...60 Hz), the Travel Charger is practically current independent in normal office and household use. Like the standard charger, it is compatible with all battery options and is available for different wall sockets.

The Travel Charger can also be used with desktop stand.



Product Codes

Travel Charger Euro plug 90-264 Vac	ACP-8E	0272169
Travel Charger Korea plug 90-264 Vac	ACP-8K	0273111
Travel Charger UK plug 90-264 Vac	ACP-8X	0272172
Travel Charger US plug 90-264 Vac	ACP-8U	0675196
Travel Charger China plug 90-264 Vac	ACP-8C	0675211
Travel Charger Australia plug 90-264 Vac	ACP-8A	0271637

Specification

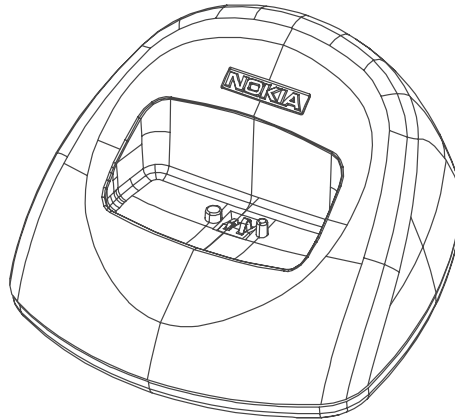
Output connectors: 3.5 mm DC plug, 2-pole (+, -, control)

Protection: Output fault voltage 16 V max.

Output voltage/current (typ): 6.0 V (± 0.3 V)/620 mA

DCD-1 Desktop Stand for 8310 only

The desktop stand provides a convenient way to charge or keep the phone.



Product Code

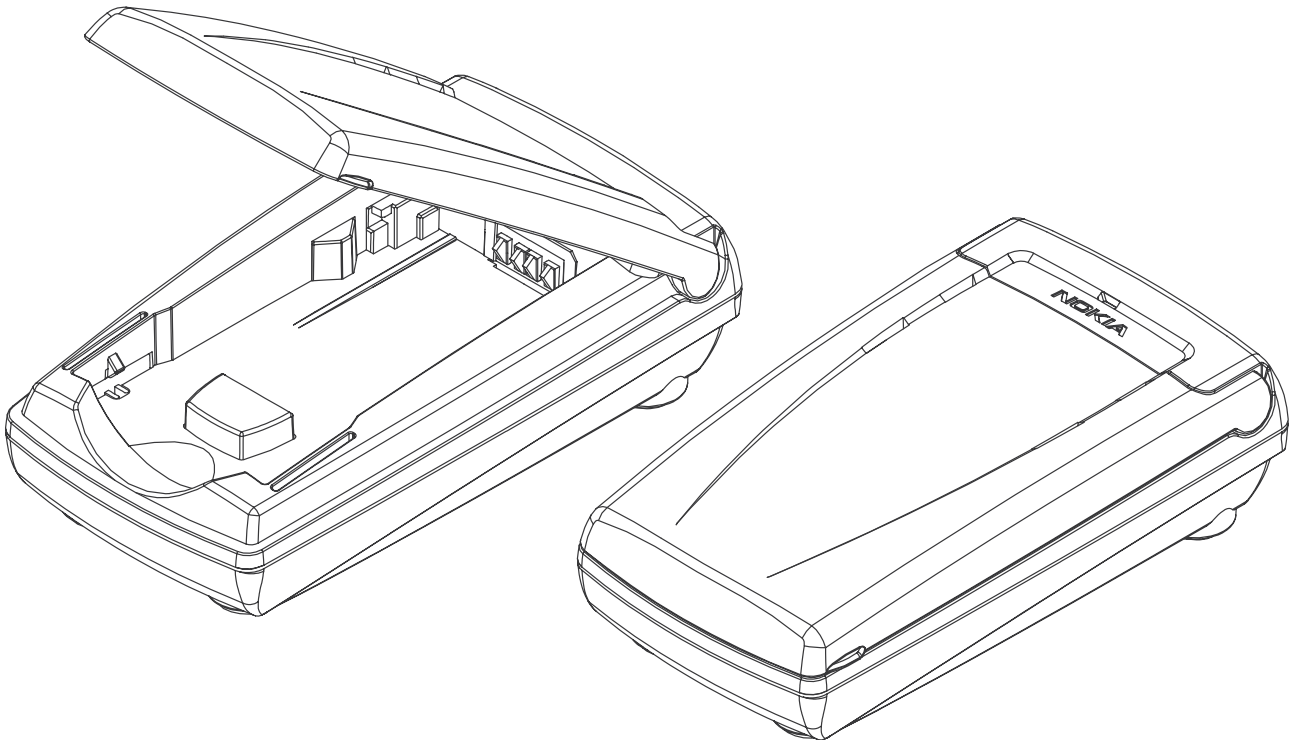
DCD-1 Desktop stand: 0272865

Specification

Connections: 3.5 mm DC jack (ACP-7 or ACP-8)

DDC-1 Battery Charging Stand

The provides the possibility to charge a spare battery.



Product Code

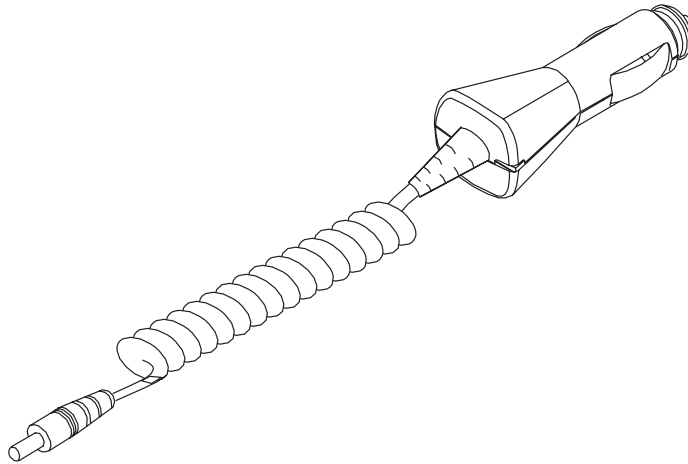
DDC-1 Battery Charging Stand: 0272418

Specification

Connections: 3.5 mm DC jack (ACP-7 or ACP-8)

LCH-9 Mobile Charger

A green light indicates that the cigarette lighter charger is ready for charging. Check the charging status on the phone display. The input voltage can be from 11 or 32 V DC, negative grounding.



Product Code

LCH-9 Mobile charger: *0675120*

Specification

Connectors

- input: *D 21/23 mm*
- output: *3.5 mm DC plug*

Protection: *input fused, output current limit 850 mA*

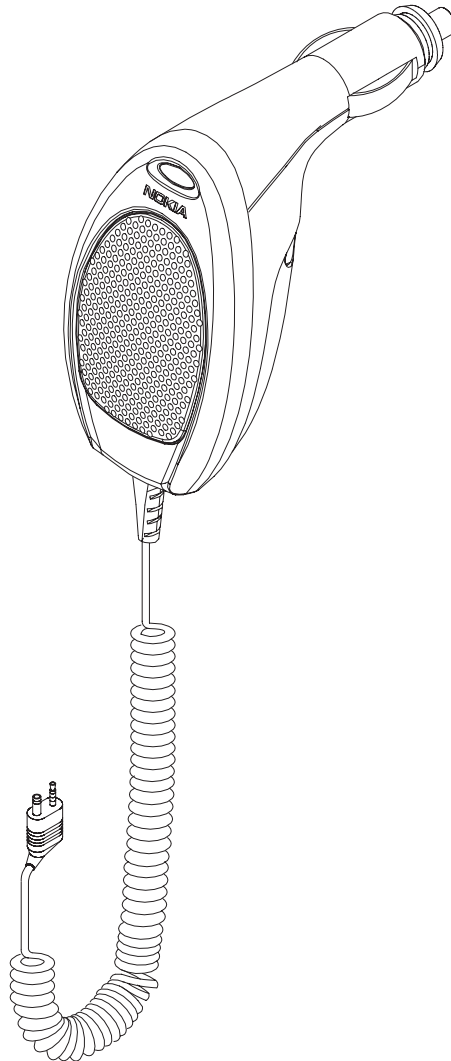
Voltage

- input: *11...32 V*
- output (nominal): *8.4 V*

Nominal output current: *800 mA*

PPH-1 Plug-in HF Car Kit

The PPH-1 provides rapid charging for the phone and possibility for HF (Hands Free) operation. The PPH-1 plug and play hands free unit is connected directly to the cigarette lighter in the car. PPH-1 is connected to Mobile phone with the cable. The cable has combined connector with charger and headset connectors. HF microphone HFM-8 can be connected to PPH-1 connector as well.



Product Code

PPH-1 Plug-in HF Car Kit:

0272170

Specification

Output connectors: 3.5 mm DC plug, 2-pole (+, -, control)

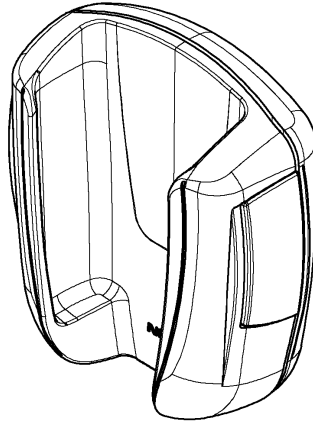
Input voltage: 8-16V DC

Protection: Output fault voltage 16 V max.

Output current: 750 mA max.

MBD-10 Mobile Holder for 8310 only

The MBD-10 Mobile Holder is used in vehicle to hold the phone. Attaching can be made using swivel or mounting plate.

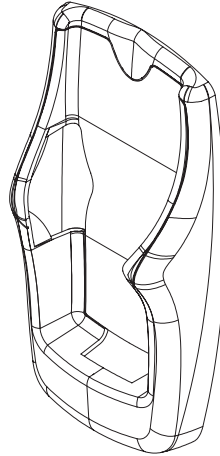


Product Code

MBD-10 Mobile Holder: *0272866 Eur/Afr*
 0273412 APAC

MCC-5 Advanced Active Car Holder for 8310 only

The Advanced Active Car Holder MCC-5 is used in vehicle to hold the phone. Attaching can be made using swivel or mounting plate.

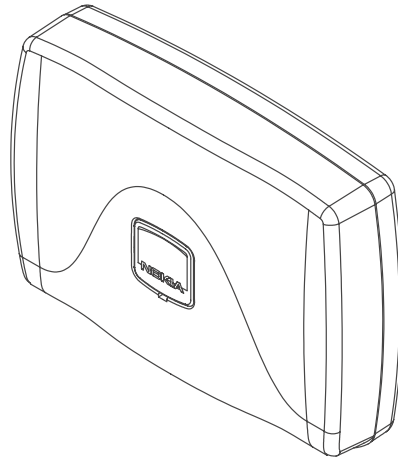


Product Code

MCC-5 Advanced Active Car Holder

HFU-5 Advanced HF Unit

The Advanced HF Unit HFU-5 is used in vehicle.

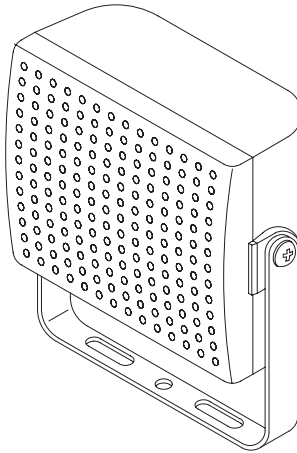


Product Code

HFU-5 Advanced HF Unit

HFS-12 HF Speaker

The HF Speaker HFS-12 is used in vehicle as a part of CarK132.

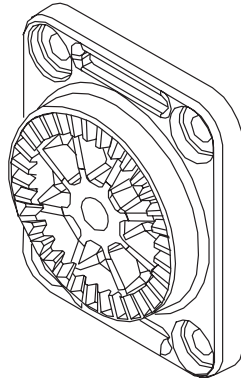


Product Code

HFS-12 HF Speaker

MKU-1 Mounting Plate

The MKU-1 mounting plate provides a method of fixing the MBD-10 Mobile Holder to the vehicle interior.



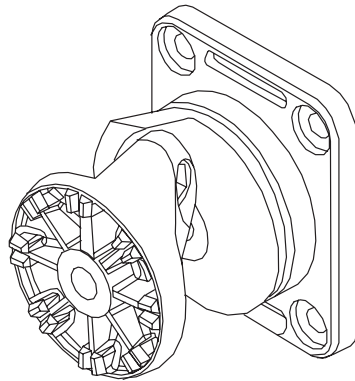
Product Code

MKU-1 Mounting plate:

0620036

HHS-9 Swivel Mount

The HHS-9 swivel mounting plate provides an alternative (to MKU-1) method of placing the MBD-10 Mobile Holder.



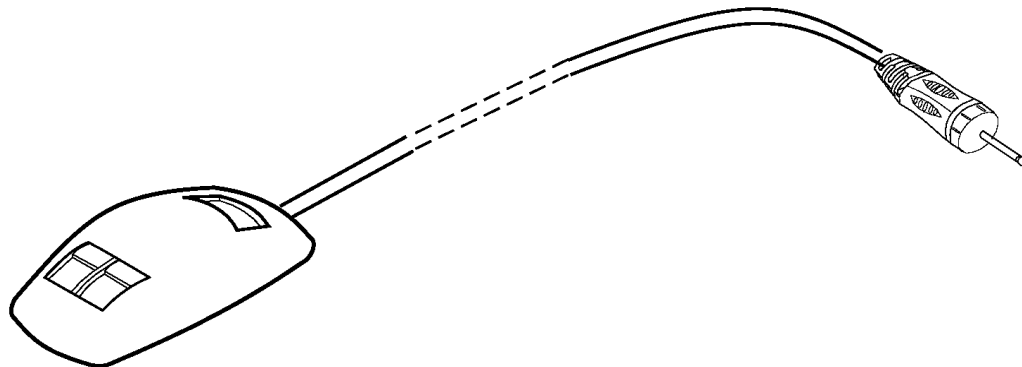
Product Code

HHS-9 Swivel Mount:

0620037

HFM-8 Hands Free Microphone

The HFM-8 microphone can be used together with PPH-1 or Carkit132.

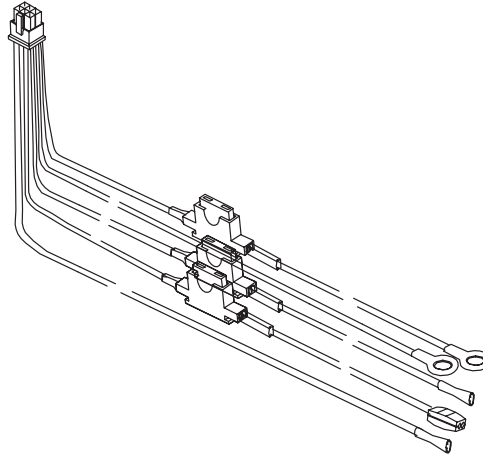


Product Code

HFM-8 Hands Free Microphone: *0271503*

PCH-4J Power Cable

The Power Cable PCH-4J is used to power HFU-5 Advanced HF Unit.

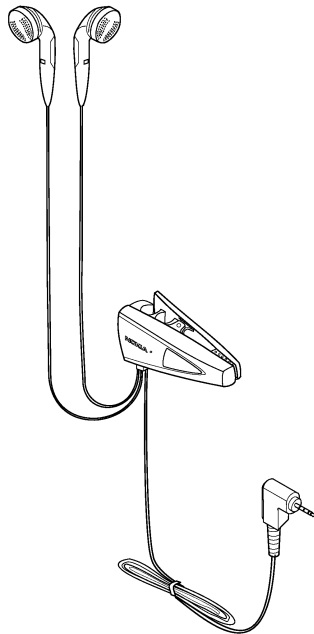


Product Code

PCH-4J Power Cable

HDD-1 Headset

The HDD-1 headset provides a good audio quality and has also switch for answer/end button.



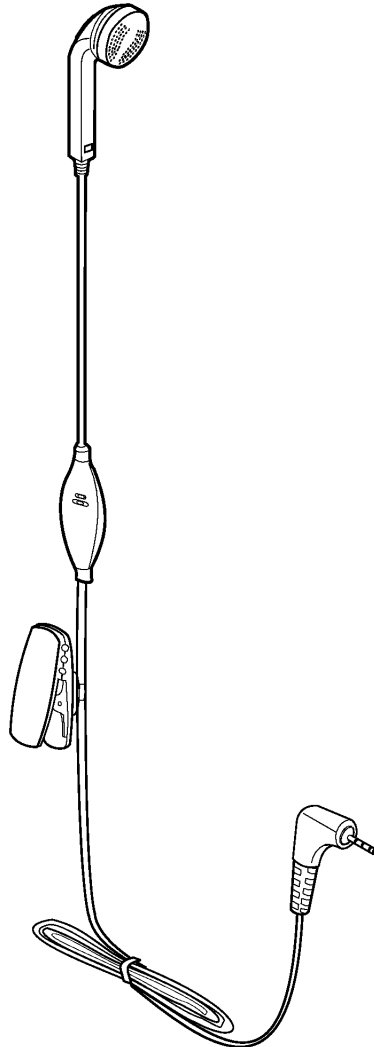
Product Code

HDD-1 Headset:

0273302

HDC-5 Headset

The HDC-5 headset has also switch for answer/end button.



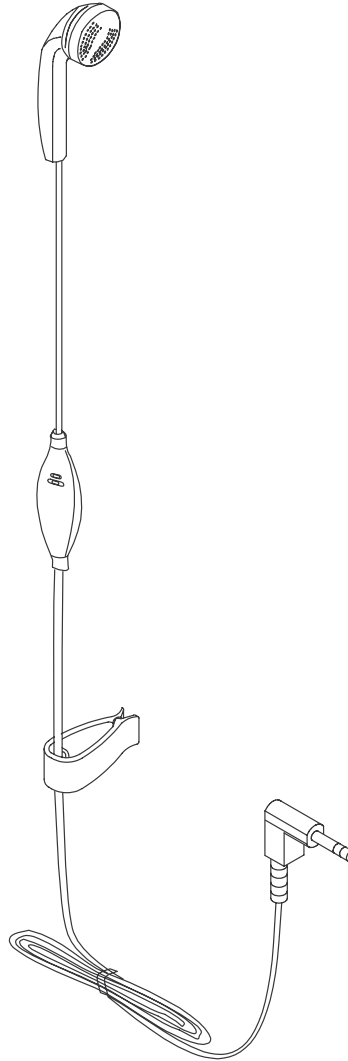
Product Code

HDC-5 Headset:

0271467

HDE-2 Headset

The HDE-2 headset provides convenient hands free operation of the phone.



Product Code

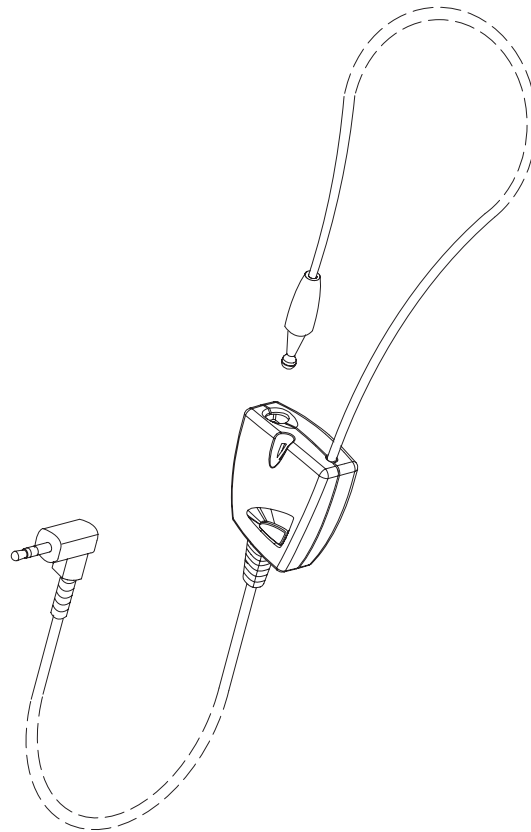
HDE-2 Headset:

0694075

Loopset LPS-3

Loopset LPS-3 has been developed for hearing aid users to allow them to use mobile phones. It is based on induction technology.

All hearing aids have support for induction loop, i.e. they have a little telecoil inside. This coil can capture the signal supplied to the loop. Standard hearing aids have two operation modes; M-mode for normal microphone use and T-mode for telecoil use.



Product Code

Loopset LPS-3:

0272419

Recommended Batteries

Type	Size / IEC-type	Rated capacity	Talk time (3mA load)	Standby (20uA load)
Zinc Air Hearing Aid Battery	675 / PR44	540 mAh	180 hour.	840 hour or 35 day (1)
Silver Oxide Hearing Aid Battery	675 / SR44	150 mAh	50 hour.	7 500 hour or 310 day.
Alkaline Battery	675 / LR44	110 mAh	36 hour.	5 500 hour or 230 day.

Note (1): The capacity of the zinc air battery will fall 20% in a month. After the activation the zinc air battery begins to self-discharge. The battery will be empty within 5 weeks.